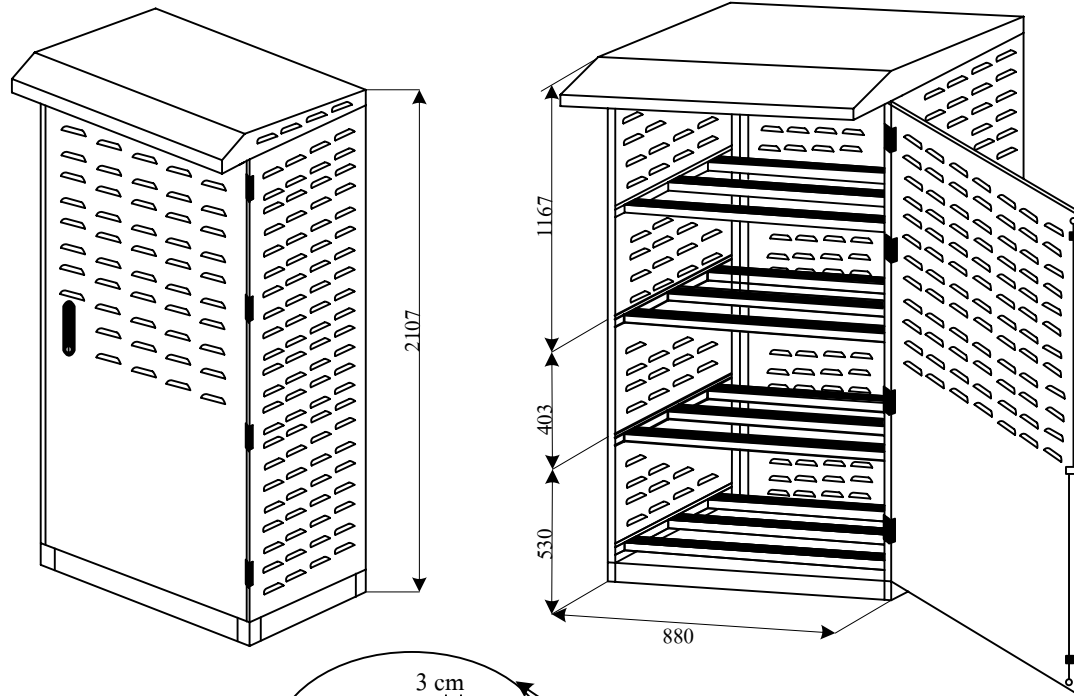
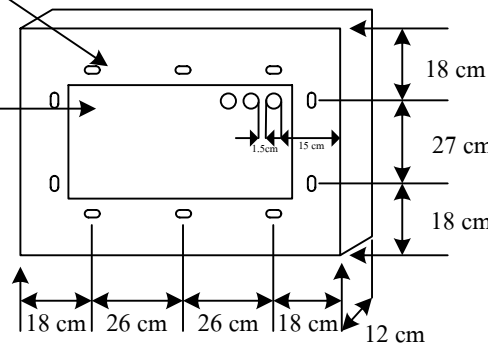
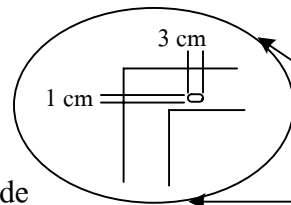


# OUTDOOR VENTED BATTERY ENCLOSURE 4 SHELF



Note :

- Outdoor Type
- Painted and Rust proof
- Screw and Fastenings made from stainless steel
- Dimension 880 x 2107 x 630 mm.



ADVANCED INFO SERVICE PUBLIC CO.,LTD.

PROJECT NAME : AIS GSM Phase 18 Rev. B

DRW By : P.PRASOPCHOK

SCALE :

CHECKED By : RATTANA

DWG NO. : AIS 01

APPROVED By : THANASIT

FILE NAME : BTS 3

SECTION :

DATE : 20/01/2008

DEPARTMENT :

REVISION :

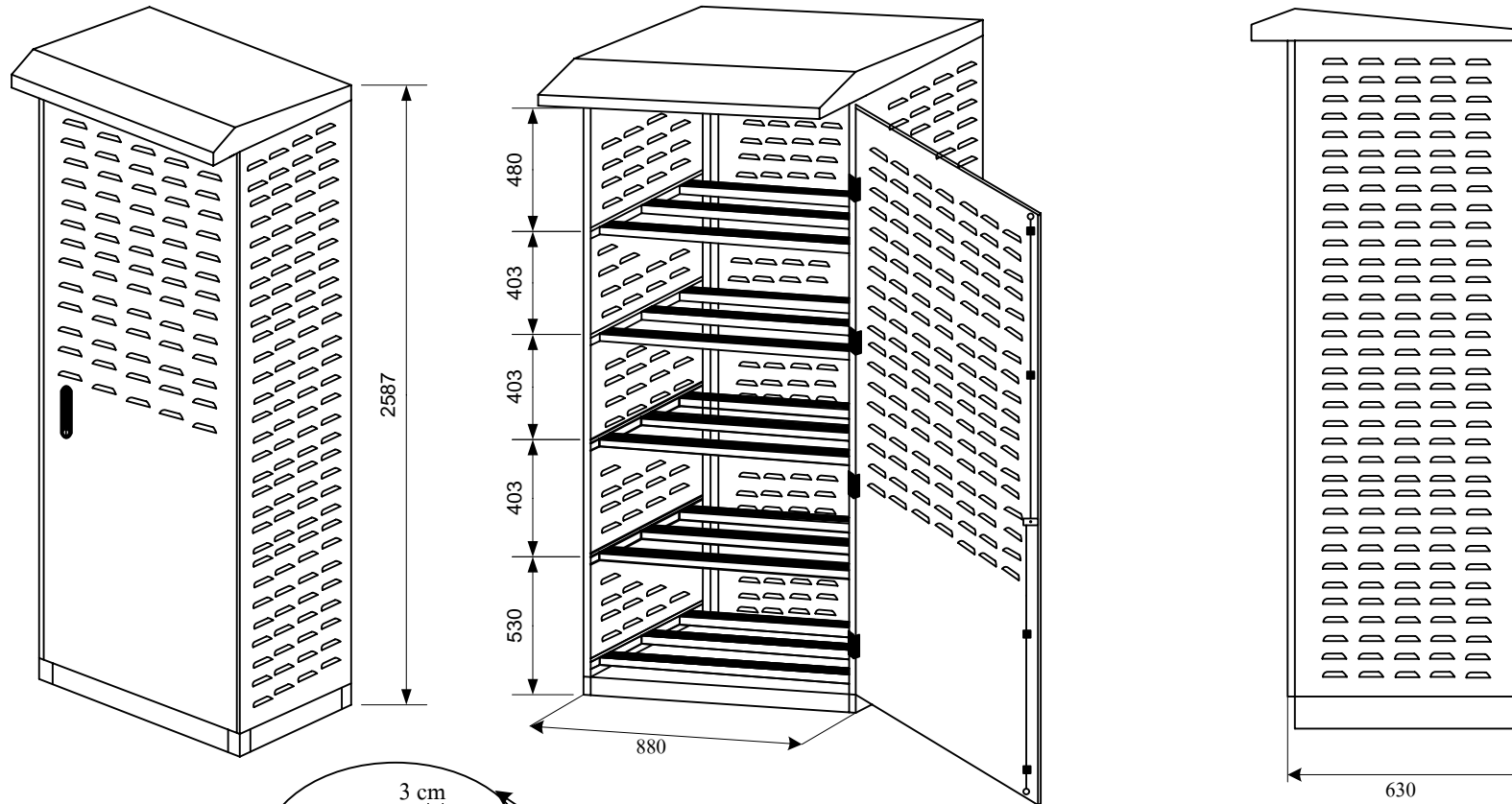


B.S.E.ELECTRONIC Co.,LTD.

9/109 Moo 7 Wongwaenrobnok Road, Kwang Bangkhuae, Khet Bangkhuae, Bangkok, 10160

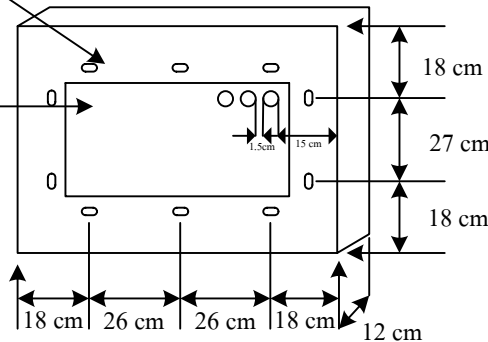
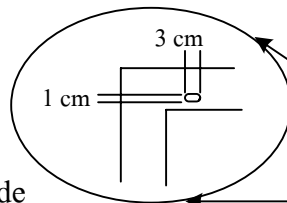
Tel. 0-2803-6303-4 Fax. 0-2803-7636, Email: info@bseelectronic.com, Http://www.bseelectronic.com


# OUTDOOR VENTED BATTERY ENCLOSURE 5 SHELF



Note :

- Outdoor Type
- Painted and Rust proof
- Screw and Fastenings made from stainless steel
- Dimension 880 x2587 x 630 mm.

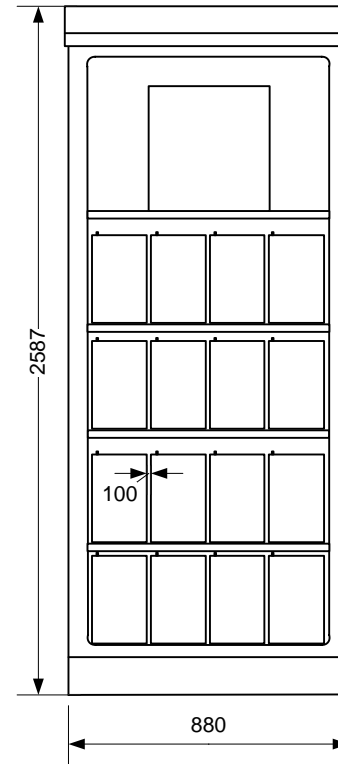
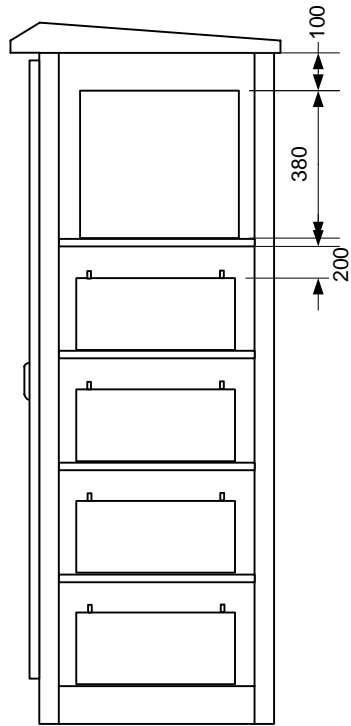


	ADVANCED INFO SERVICE PUBLIC CO.,LTD.
PROJECT NAME : AIS GSM Phase 18 Rev. C	
DRW By : M.Chouwarit	SCALE :
CHECKED By : M. Chouwarit	DWG NO. : AIS 01
APPROVED By : THANASIT	FILE NAME : BTS 3
SECTION :	DATE : 20/01/2008
DEPARTMENT :	REVISION :



B.S.E.ELECTRONIC Co.,LTD.

9/109 Moo 7 Wongwaenrobnok Road, Kwang Bangkhuae, Khet Bangkhuae, Bangkok, 10160  
Tel. 0-2803-6303-4 Fax. 0-2803-7636, Email: info@bseelectronic.com, Http://www.bseelectronic.com




**Note :**

- Outdoor Type
- Painted and Rust proof
- Screw and Fastenings made from stainless steel
- Dimension 880 x2587 x 630 mm.



**B.S.E.ELECTRONIC Co.,LTD.**

9/109 Moo 7 Wongwaenrobnok Road,Kwang Bangkhae,Khet Bangkhae,Bangkok,10160  
 Tel. 0-2803-6303-4 Fax. 0-2803-7636, Email:info@bseeelectronic.com, Http://www.bseeelectronic.com

	ADVANCED INFO SERVICE PUBLIC CO.,LTD.
PROJECT NAME : AIS GSM Phase 18 Rev. B	
DRW By : M. Chouwarit	SCALE :
CHECKED By : M. Chouwarit	DWG NO. : AIS 01
APPROVED By : THANASIT	FILE NAME : BTS 3
SECTION :	DATE : 20/01/2008
DEPARTMENT :	REVISION :