

Aviation Obstruction Lights (AOLS) (ISO 9001 Certified), for hazard indication on chimney, as per ICAO Standard Annexure 14 : Paragraph 6.3.13, Shall comprise of the following

ICAO Type B Medium Intensity Aviation Obstruction Light , flashing red light



Model: 220R60BC

Features:

Intensity	: above 8,311 cd/m ² throughout the operation life time
Lens	: toughened clear hard glass
Body	: LM-6 aluminum-silicon alloy (corrosion resistant)
Body color	: aviation yellow
Gasket	: Neoprene (sealed with RTV)
Protection	: IP 65
Input Voltage	: 200-250 VAC 50 Hz
LED type	: Chip technology – AllnGaP / GaP
Color	: Red
Wattage	: 30 Watts Maximum at P.F 0.5567
Forward current	: 250 mA maximum

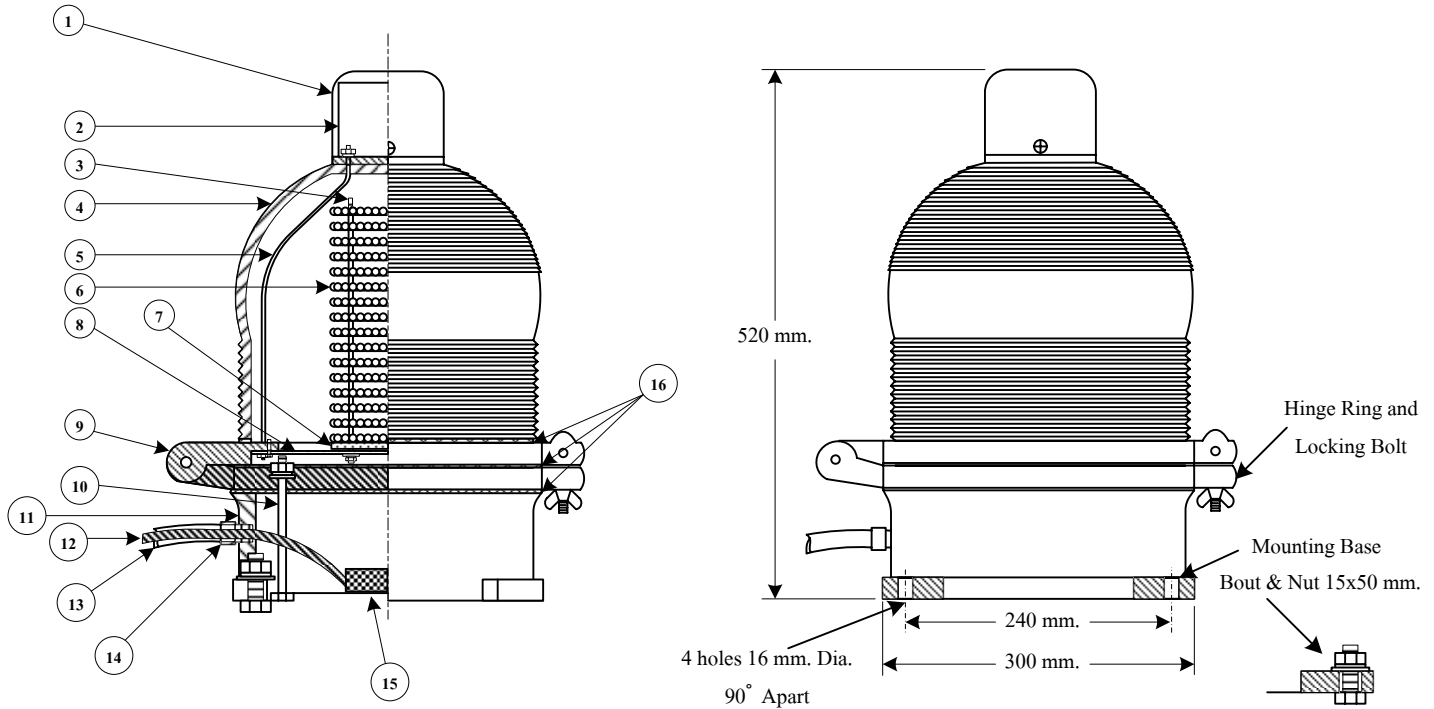
Weight : 22 kg

Use Kopp glass FAA L-864

Made in U.S.A.

Installation Drawing

MODEL : 220R60BC



Renewal Parts

Item	Part Number	Description
1	BC001	Outer Cover (Head Cover) Aluminum
2	BC002	Inter Cover (Head Cover) Aluminum
3	BC003	Stud Stainless M5
4	BC004	300 mm. Red Fresnel Lens
5	BC005	Stud Stainless M8
6	BC006	LED Lamp
7	BC007	Acrylic Plate
8	BC008	Aluminum Plate
9	BC009	Cast Aluminum Base and Frame
10	BC0010	Stud Stainless M10
11	BC0011	Cast Aluminum Base and Frame
12	BC0012	NYY 3x2.5 Sq.mm. Cable
13	BC0013	Liquid Tight Flexible Conduits 3/4"
14	BC0014	Liquid Tight Flexible Connectors 3/4"
15	BC0015	Surge Protection & Terminal *
16	BC0016	O-Ring Silicone

* PART NO. BC015 : SURGE PROTECTION & TERMINAL

