

# BSE OBSTRUCTION LIGHTS

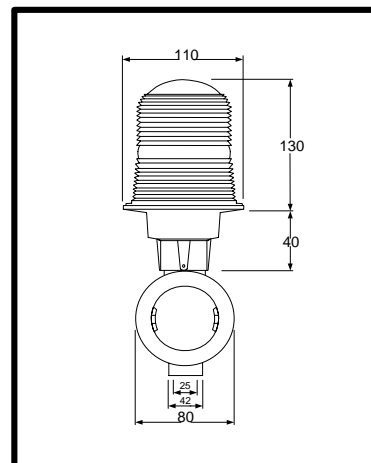
## FLASHER LAMP Model : SFR220100

BSE ELECTRONIC



Model : SFR220100

### Dimension



### Features :

BSE OB. Light- red fresnel lens model: SFR220100 is flash, obstruction lights are used to mark tall structures that present hazards to air navigation. During the night, these lights warn pilots to stay clear of the obstruction when installed in accordance with FAA AC 70/7460-1 and applicable FCC and ICAO rules and recommendations. Usually, one photoelectric controller is sufficient to provide automatic lighting activation at dusk in accordance with FAA specifications.

### SPECIFICATION:

- Lamp of Incandescent long life about 8,000 hours
- Red fresnel glass globes for 360° visibility
- Operates on AC 220-240 volts and 50-60 Hz frequency
- Consumption 100 W at 220 -240 Vac
- Flasher Lamp can be adjusted in 4 step
- Weather / corrosion resistant lamp assembly and housing
- Self - contained winding compartment eliminates additional boxes
- Threaded 1" - 3/4 " bottom hub for mounting
- Single fixture



B.S.E. ELECTRONIC CO., LTD. (THAILAND)

Tel. (662)803-6303-4, 662-803-7637 Fax. (662)803-7636

[www.bseelectronic.com](http://www.bseelectronic.com) , [www.oblight.net](http://www.oblight.net)E-mail : [info@bseelectronic.com](mailto:info@bseelectronic.com)

Made in Thailand